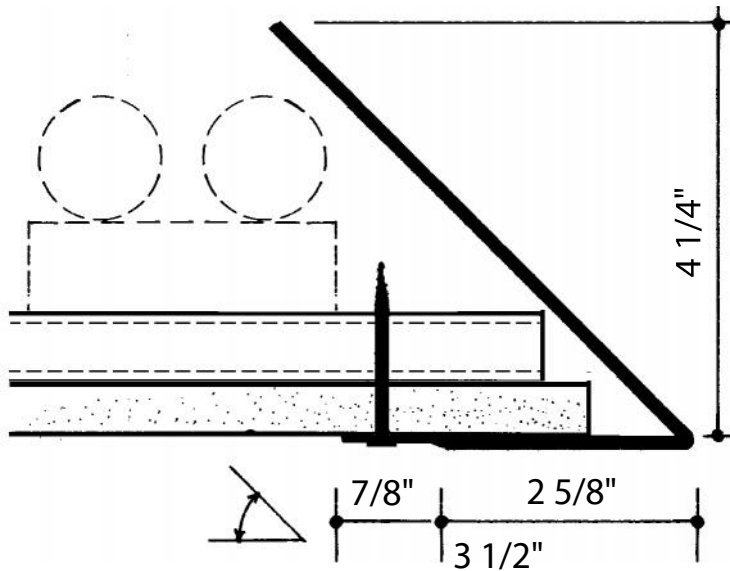


Pittcon Architectural Metals, LLC

LC-20-TF
"Knife Edge" Light Cove

**Multi- Radii
Coves Shown**

Stocked LC-20-TF Profile



P 301.927.1000
support@pittconindustries.com

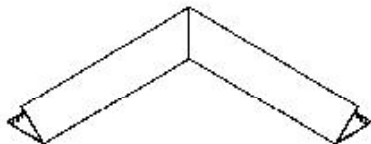
Gensler/ Angelini Plastering

**Stocked in 10'-0" lengths,
Inside Mitered Corners Stocked,
Outside Mitered Corners Stocked,**

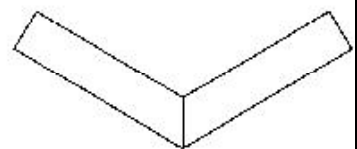
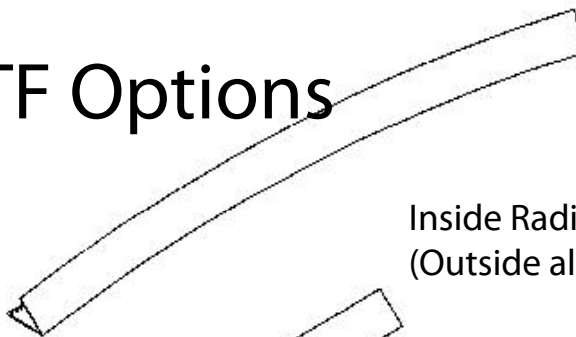
**Also, available in Custom Angles,
Sizes, Radiused Sections &
U Shaped Mitered Corners**

Some LC-20-TF Options

Inside Miter

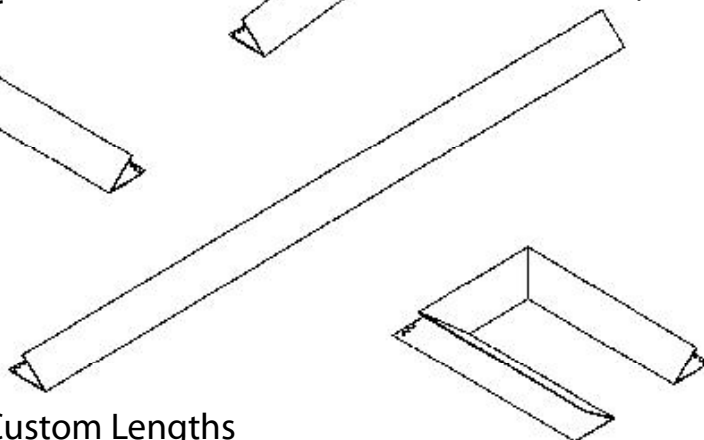


Inside Radius
(Outside also Available)

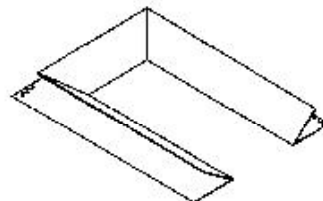


Outside Miter

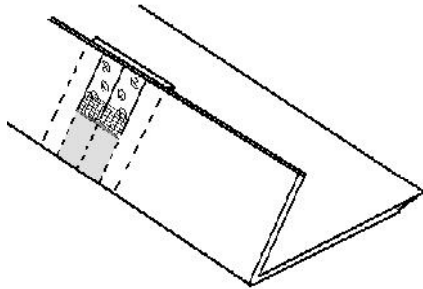
Custom Lengths



Inside U Miter

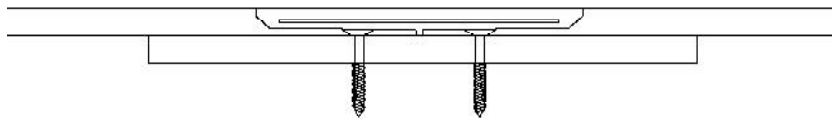


Our LC-20-TF Light Coves are manufactured from .090" aluminum and have factory applied, milled tapping fins for a seamless attachment to the soffit or vertical wall.

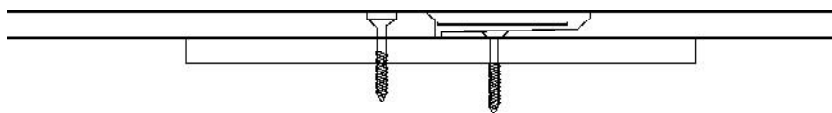


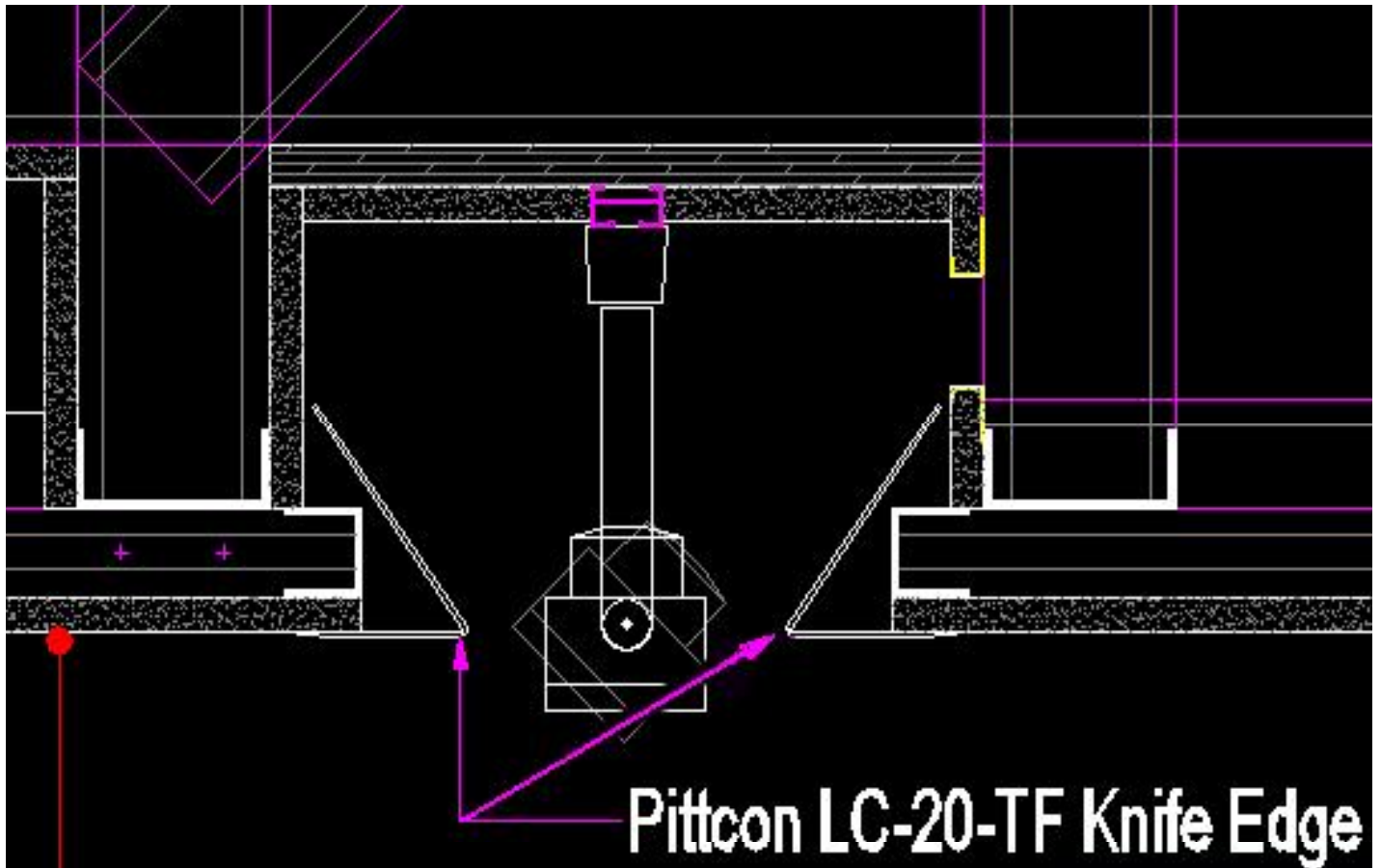
They also have the ends milled along with a concealed splice plate for a seamless end to end joints. Special sized flathead screws, a drill bit and a countersink to facilitate seamless joints at field cut ends, are supplied. All components come with a primed, paint ready finish.

**Factory Milled Taping Joint,
Fasten, Fill & Finish Seamless**



**Field Cut Taping Joint, Chamfer,
Countersink, Fasten, Fill & Finish
Seamless**





3600mm AFF

NEW SUSPENDED CEILING

LC-20-TF Knife Edge Resources:

Webpage Link;

<http://www.pittconindustries.com/light-covers/31-lc-20-tflc-21-tf>

CAD Drawing Link;

<http://www.pittconindustries.com/pittconwebsitedocs/CADdrawings/LC-20-TF.dwg>

Fill In Shop Drawing;

<http://www.pittconindustries.com/LC20ShopDrawing.pdf>

Factory e-mail;

support@pittconindustries.com

6409 Rhode Island Ave., Riverdale, MD 20737